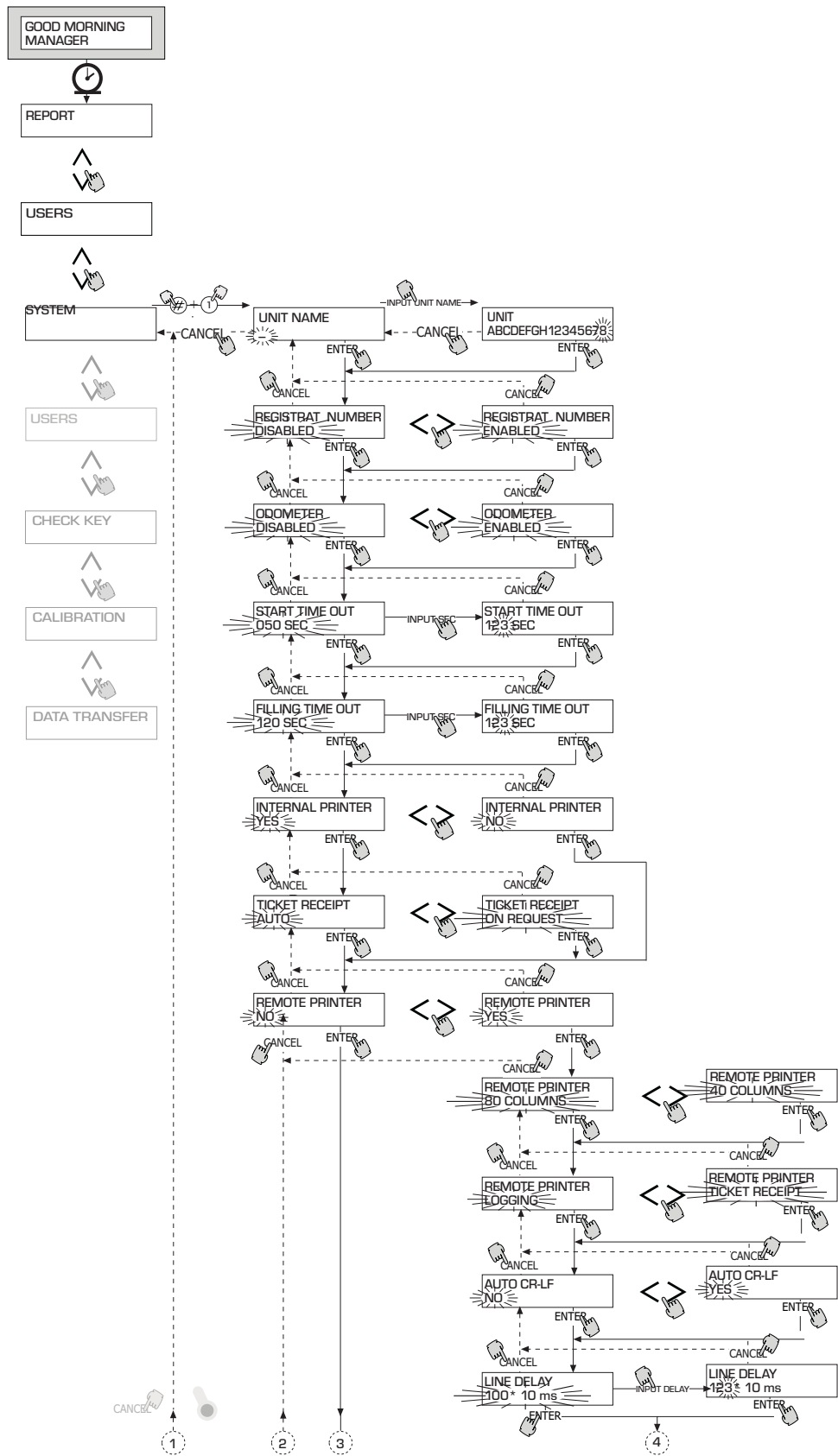
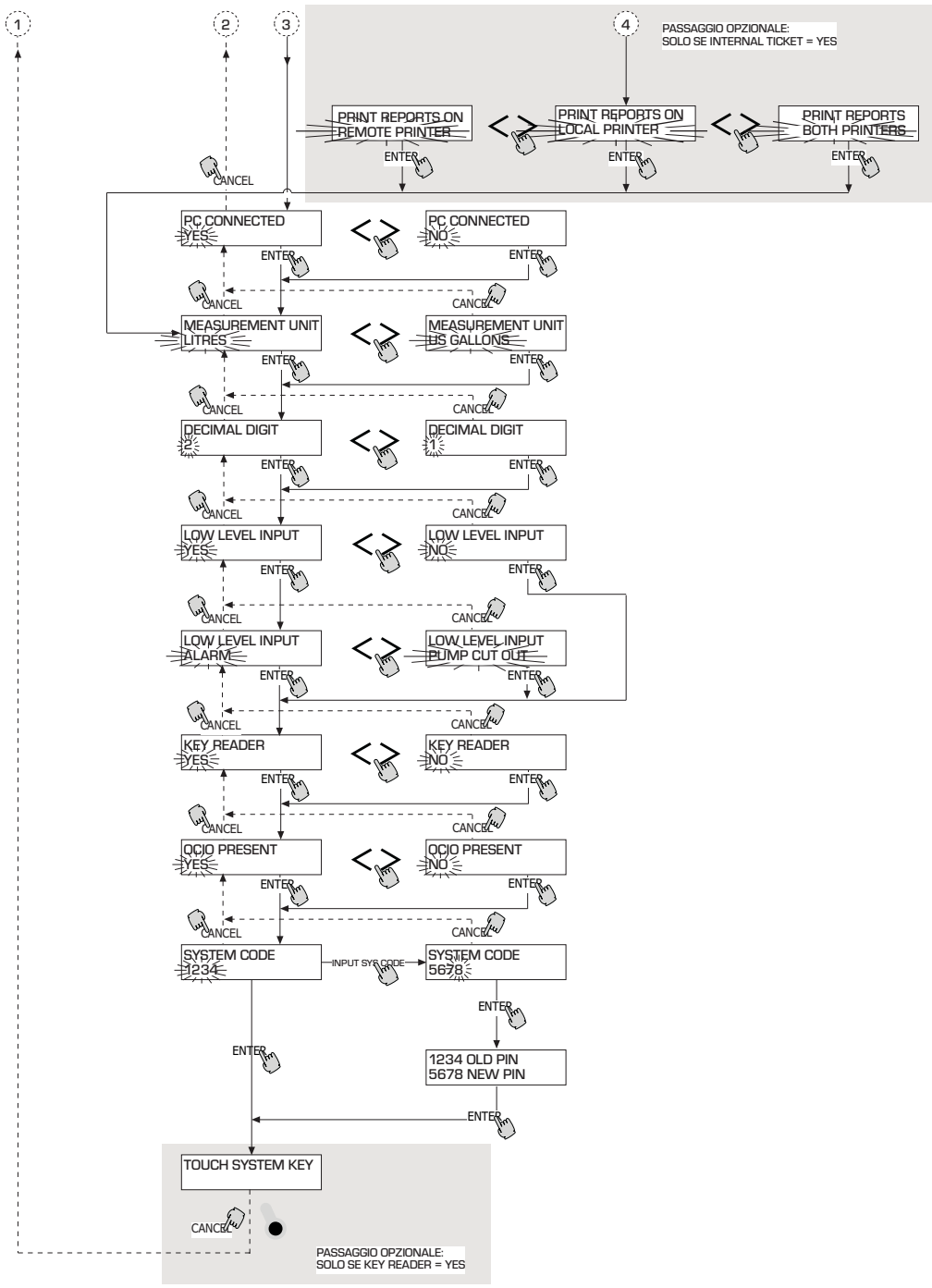


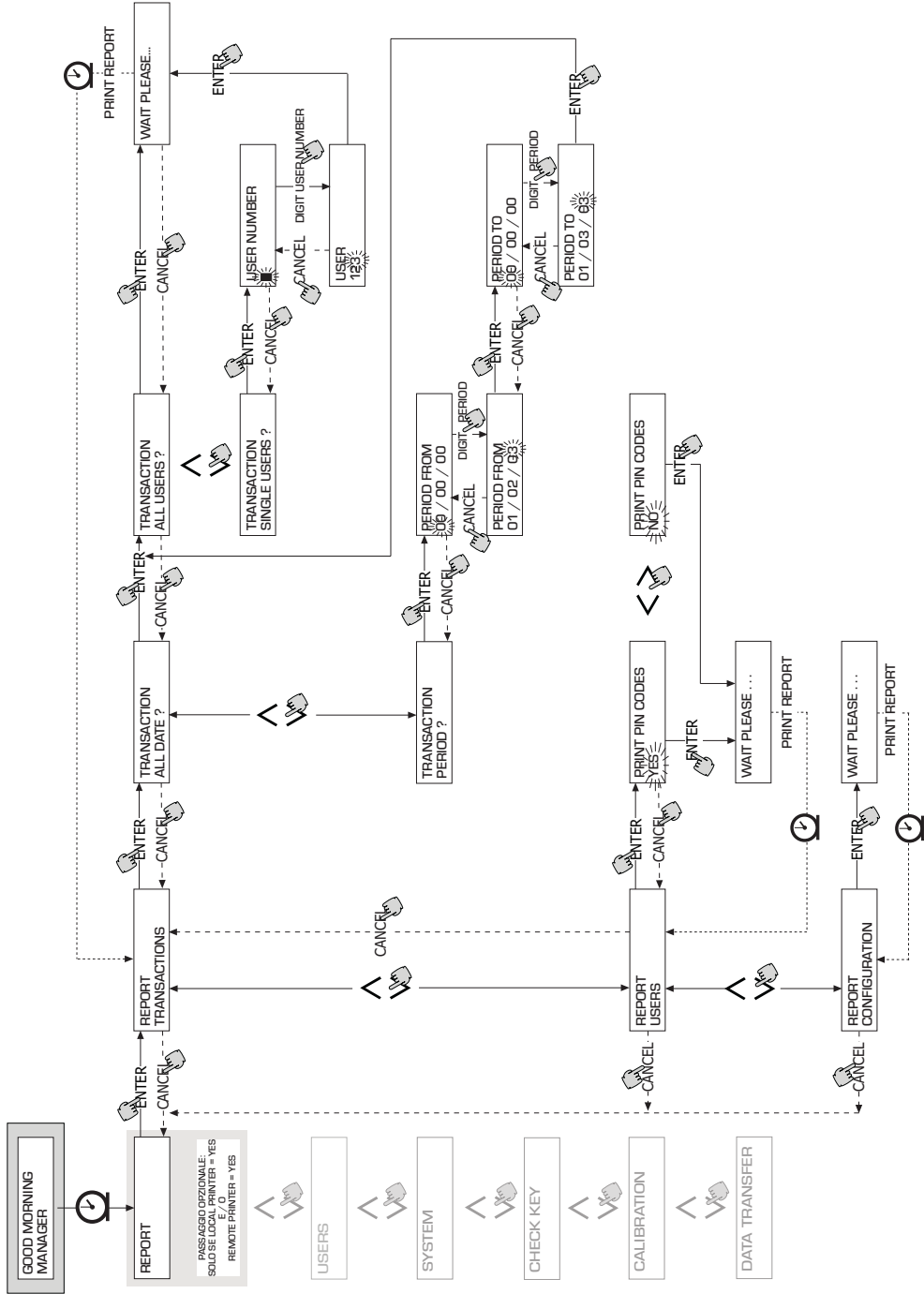
SYSTEM CONFIGURATION



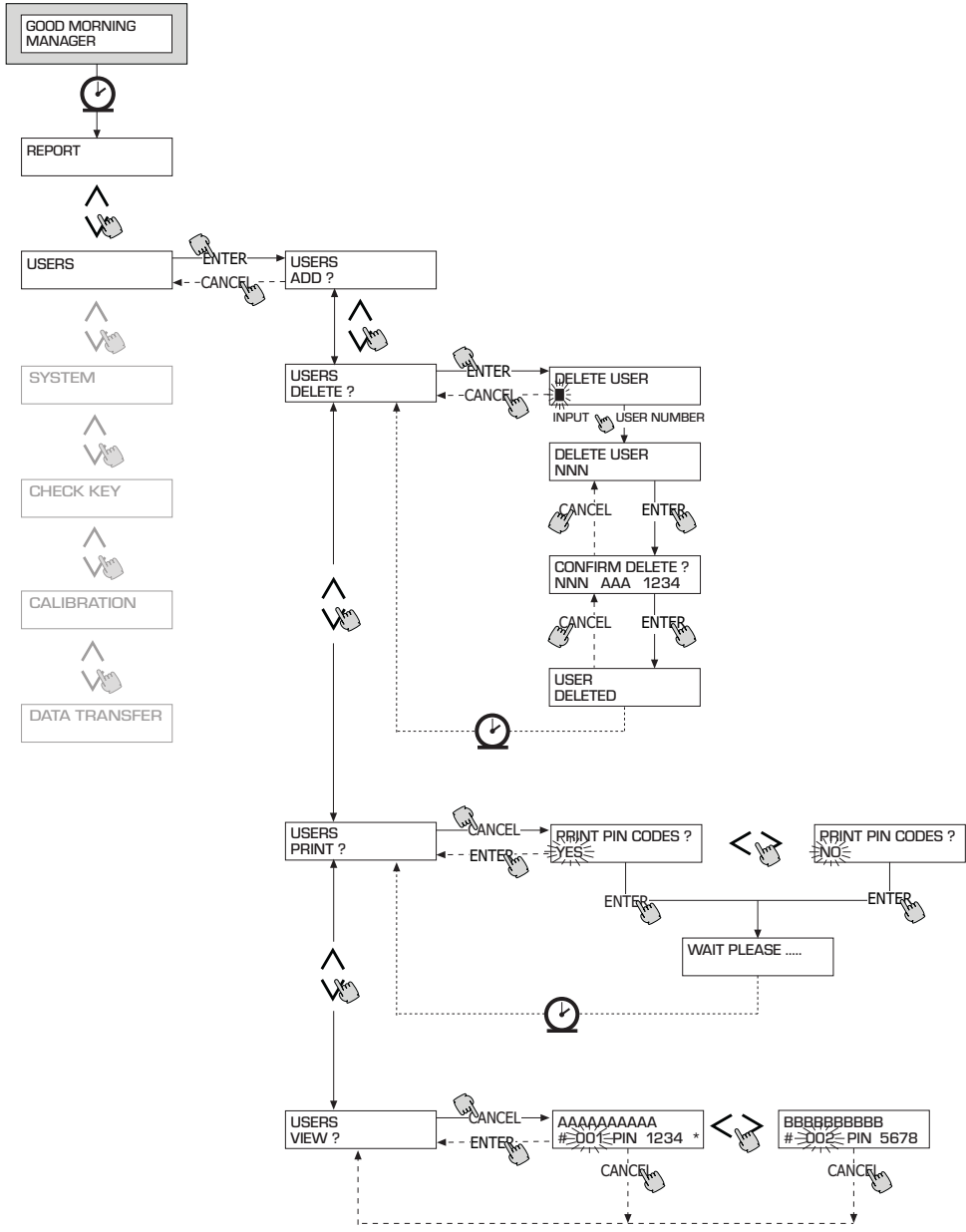
SYSTEM CONFIGURATION



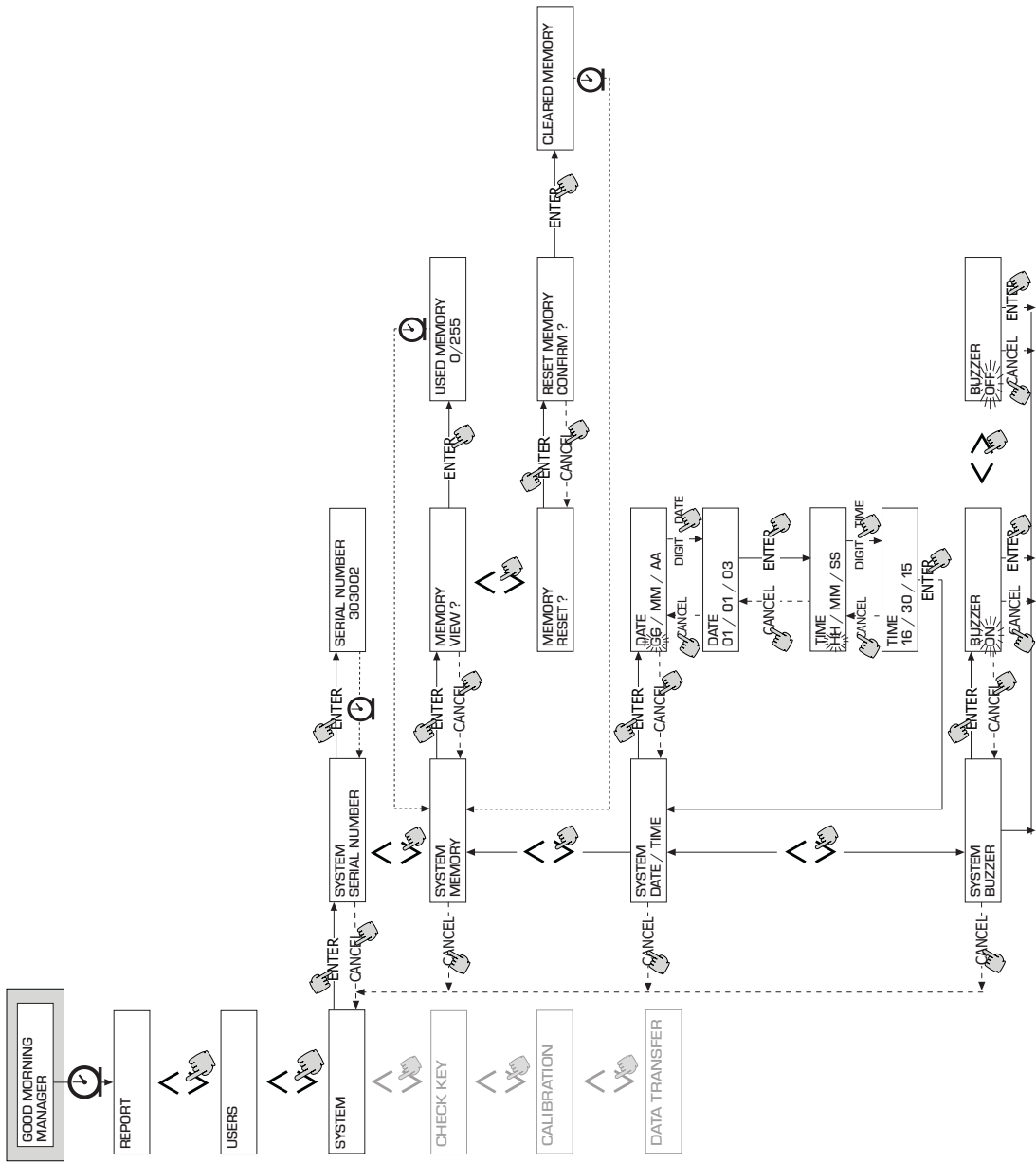
SYSTEM MANAGEMENT / REPORTS



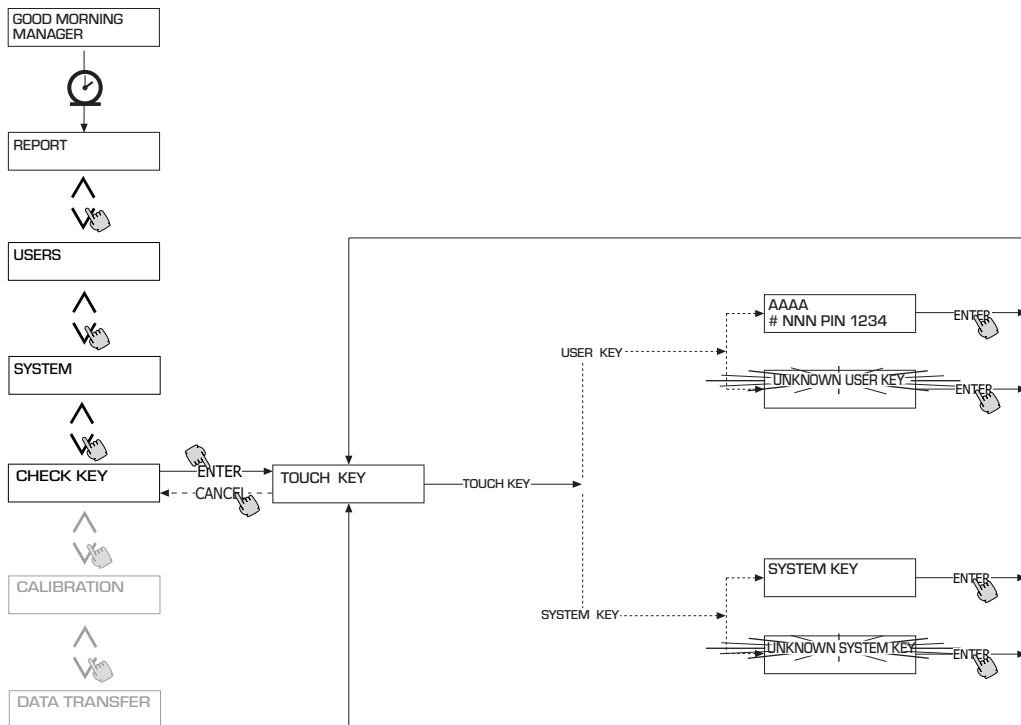
SYSTEM MANAGEMENT / USERS / DELETE, PRINT, VIEW



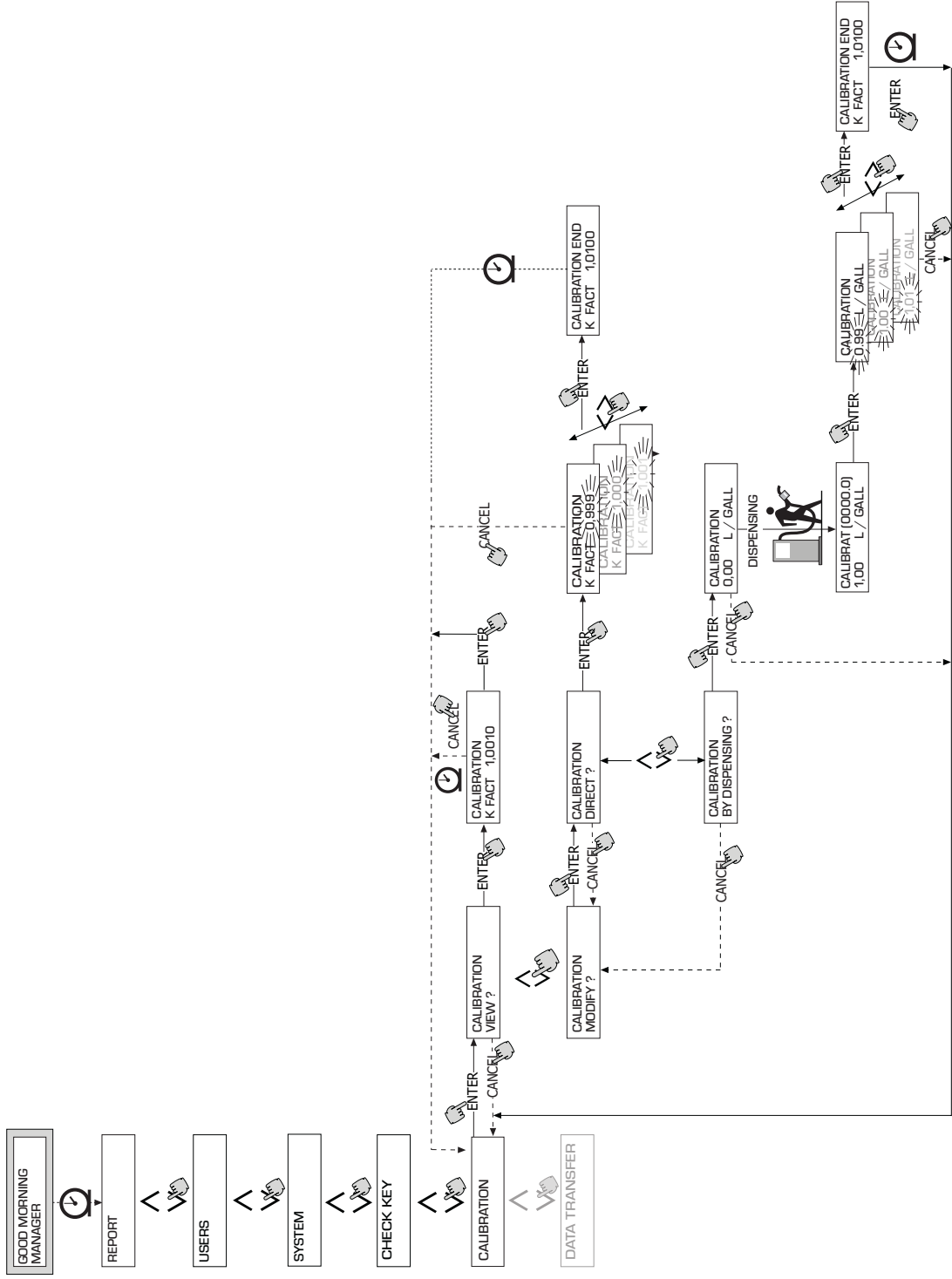
SYSTEM MANAGEMENT / SYSTEM



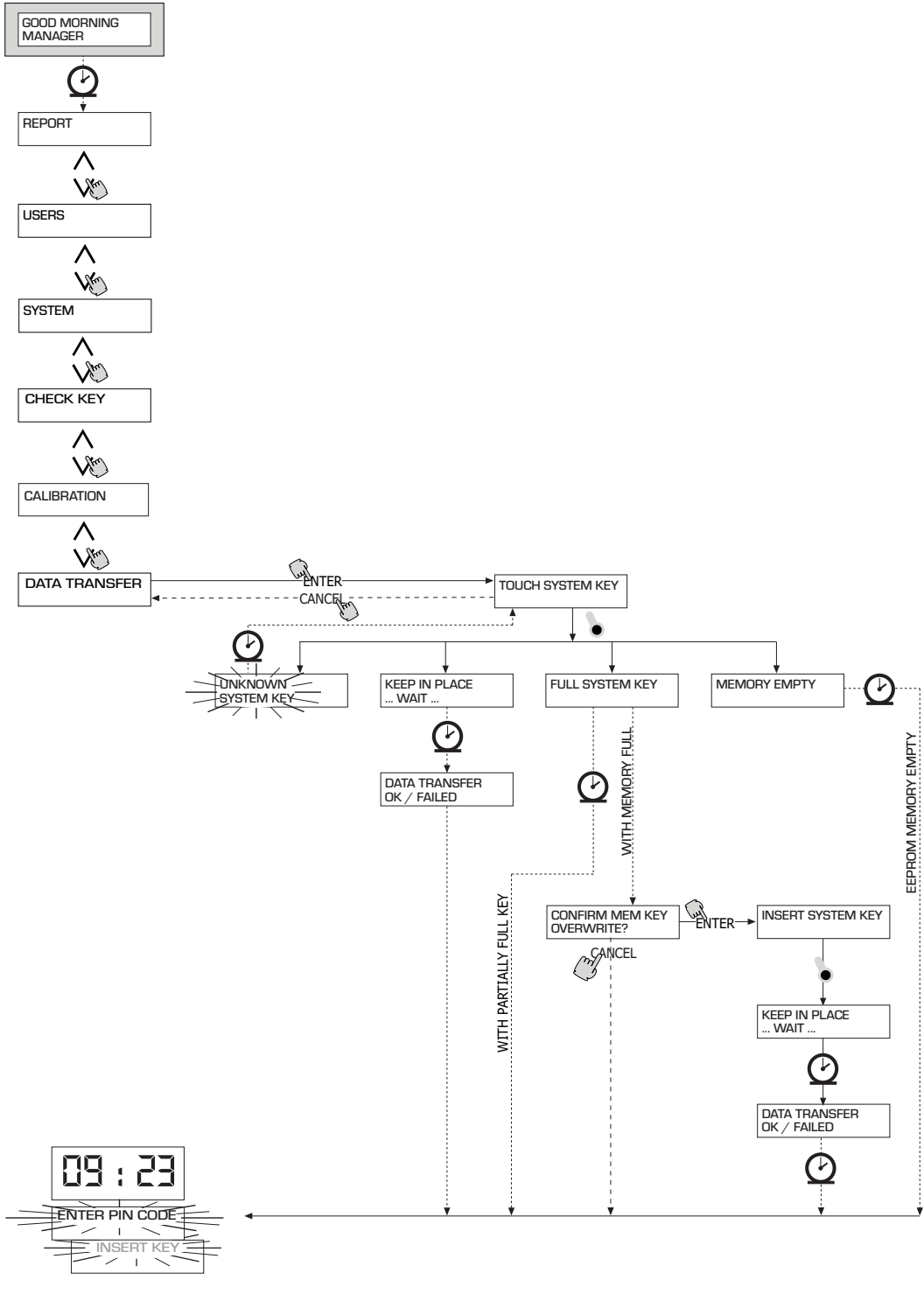
SYSTEM MANAGEMENT / CHECK KEY



SYSTEM MANAGEMENT / CALIBRATION



SYSTEM MANAGEMENT / DATA TRANSFER



ACCESS CONTROL

09:23

ENTER PIN CODE
INSERT KEY

DISPENSING

